

Supratec HA1505 Ultra-filtration Membrane Cassette

With Hollow Fiber Membrane - PVDF

Product Data Sheet

Features

The Supratec HA1505 Ultra-filtration Membrane Cassette is a new design of hollow fiber membranes. Supratec Membrane GmbH is the designer and membrane manufacturer of the HA1505 product with more than 40 years of experience in the field of wastewater treatment and is located in Simmern/hunsrueck, Germany.

This product is made of proprietary polyvinylidene fluoride (PVDF) ultra-filtration membrane with a nominal pore size of 0.03 μm . This high-flux membrane is used for removal of macro-molecules, concentration of organic solutes, microbial and particle removal and water and wastewater treatment. This product is made of strong and durable hollow fibers without any breakage and is available in different configurations and designs and may be customized to meet customer requirements. Features include:

- Very High Flux**
 The HA1505 membrane used in Supratec module has exceptionally high sustainable fluxes requiring less square meter than other competitors.
- Applicable to Wide Range of Feed Water Quality**
 The HA1505 Membrane Cassette utilizes a very tolerant membrane and a robust product design that allows using it for a wide range of applications and variable feed water quality.
- Easy to Clean**
 Supratec hollow fiber product is manufactured with proprietary hydrophilic PVDF membranes with anti-fouling characteristics. This membrane is stable, flexible, and easy to clean.

Product Specifications

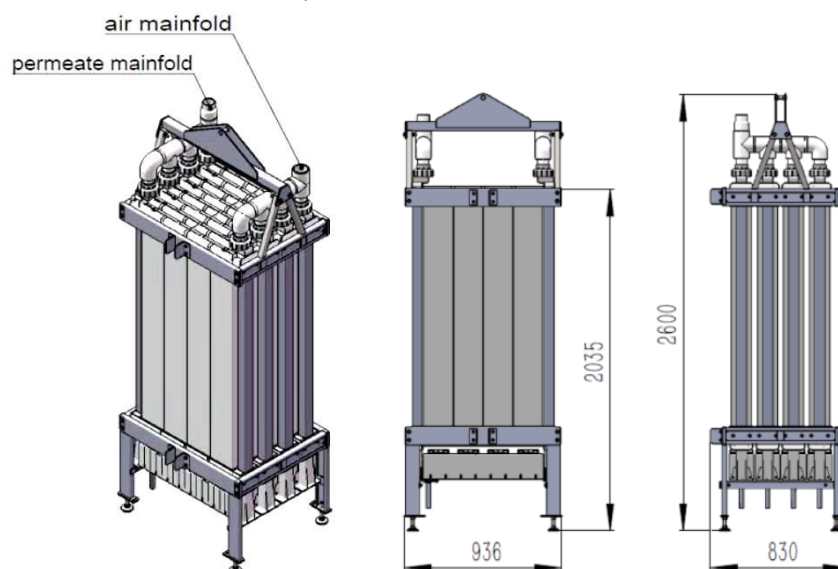
Model	Supratec HA1505 UF Membrane Cassette
Membrane surface properties	Non-ionic and hydrophilic
Membrane type	Proprietary PVDF
Membrane permeability(Clean water)	1,500 l/mh/bar
Nominal membrane pore size	0.03 μm

Design Information

Membrane area per module	58 m ²
Amount of Module	5pcs(can be changed according to requirement)
Membrane Surface	290m ²
Dimension	936*830*2600mm
Back flushable	Yes
Flux rate (MBR application)	10 –50l/m ² ·h
Supporter	PET
Dry Module Weight	50 kg
Cassette Weight	300 kg (Dry) / 360kg (wet)

Figure 1

Structure and Dimension of Supratec HA1505 UF Membrane Cassette



Operating Specifications

Maximum operating temperature	40°C (104 °F)
Typical operating pressure (water)	20 – 350 mbar
Cleaning pH Range	2.0 – 11.0
Cleaning period	1 or 2 times/year
Water depth	2.8– 6.0 meters
Air demand	155– 310 m ³ /h
Max Chlorine Tolerance	Up to 1,500 ppm as NaClO
Lifetime Chlorine Tolerance	1000,000 ppm.hr as NaClO
Operating Chlorine Tolerance	< 2 ppm

Notes

Permeate connection diameter is inner diameter.

Shipping weight depends on packing material and quantity shipped.

Product Options: Standard is grounding mounted with feet.

Storage and Protection

Supratec UF Membrane Cassette should be stored in proper environment. Once the modules come in contact with water or put in use, they should never be stored dry. Typically for long-term shutdown (>7 days), the modules should be cleaned and immersed in proper solution. All cleaning, storage and operational procedures should be based on actual O&M manual provided by Supratec.

Service and Technical Support

Supratec provides a full range of products of different sizes. The design information provided is for the most common product and Supratec should be consulted for other sizes and requirements. Supratec has an experienced team available to answer questions and provide reasonable technical support.

For more information, call the Supratec Membrane Branches:
 Germany: +49 (0) 6761 967538-10
 China: +86 (0) 21 31169858
 France: +33 (0) 172879790
 Netherlands: +31 (0) 416 348090

Notice: No freedom from infringement of any patent owned by Supratec Membrane GmbH or an affiliated company is to be inferred. The information and data contained in this document are based on our general experience and are believed to be accurate and reliable. But this information does not imply any warranty or guarantee of performance. Supratec assumes no obligation or liability for the information contained herein. The quality of Supratec products is only guaranteed under our conditions of sale.